



**BREEZE**

# BREEZE

A sleek and minimalist design featuring smooth lines and chrome detailing which exudes a prestigious persona. A breathable nylon mesh gives a light and airy appearance as well as offering ventilation to reduce heat build up and muscle fatigue.

## Standard Features

- Mesh back and seat
- Knee tilt mechanism with multi-position lock and anti-shock brake
- Tension control
- Chrome base
- Chrome armrests

## Optional Features

- Glides
- Soft castors



BREEZE - BH1



BREEZE - BM2



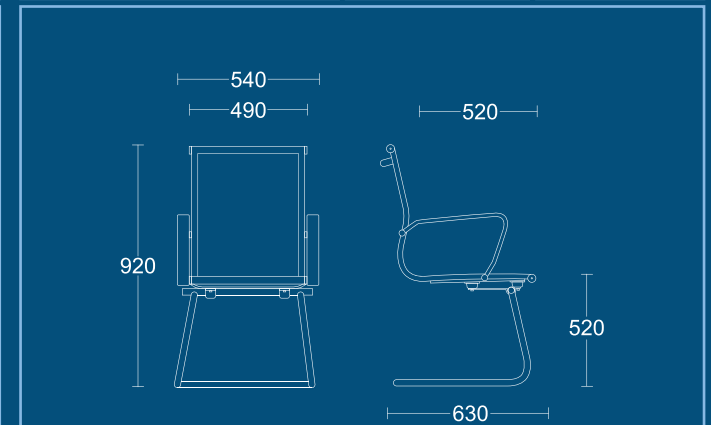
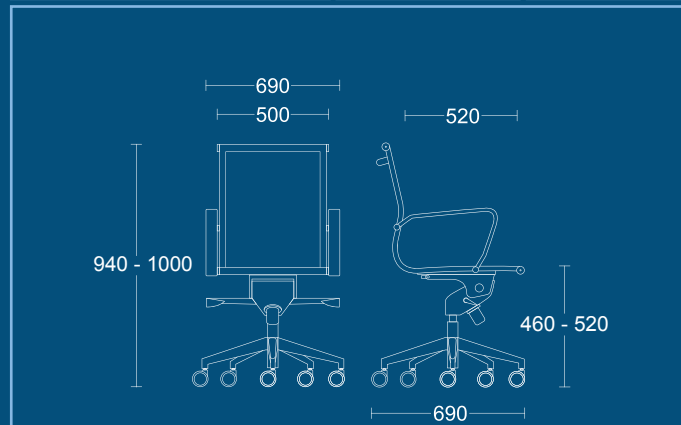
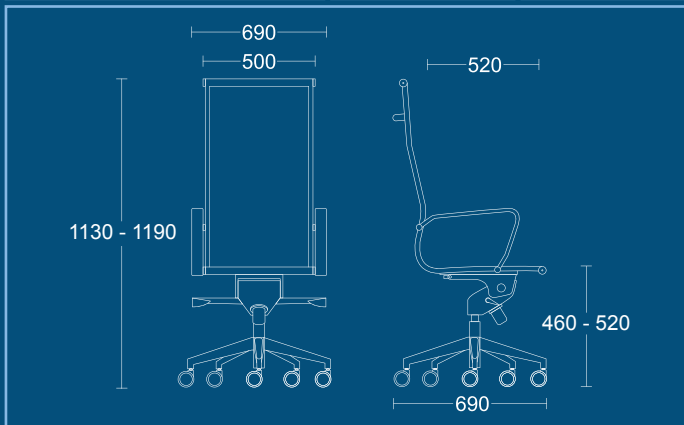
BREEZE - BH1 / CHROME BASE WITH CASTORS




BREEZE - BMCA / BHCA / CANTILEVER BASE

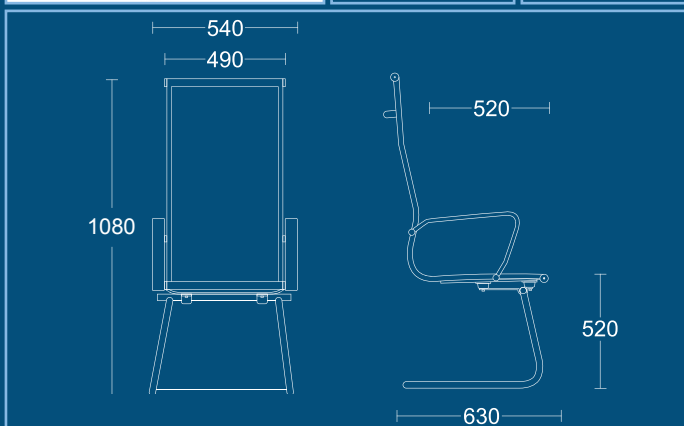
## BREEZE

	<p><b>BH1</b> High back mesh armchair with chrome arms and base.</p>	<p><b>DIMENSIONS</b> WIDTH 690mm DEPTH 690mm SEAT HEIGHT 460mm OVERALL HEIGHT 1130mm</p>		<p><b>BM2</b> Medium back mesh armchair with chrome arms and base.</p>	<p><b>DIMENSIONS</b> WIDTH 690mm DEPTH 690mm SEAT HEIGHT 460mm OVERALL HEIGHT 940mm</p>		<p><b>BMCA</b> Medium back chrome cantilever mesh armchair.</p>	<p><b>DIMENSIONS</b> WIDTH 540mm DEPTH 630mm SEAT HEIGHT 520mm OVERALL HEIGHT 920mm</p>
---	--	--	--	--	---	---	---	---



## BREEZE

	<p><b>BHCA</b> High back chrome cantilever mesh armchair.</p>	<p><b>DIMENSIONS</b> WIDTH 540mm DEPTH 630mm SEAT HEIGHT 520mm OVERALL HEIGHT 1080mm</p>
--	---	--



### PSI Seating Limited

Parkside Mill  
Walter Street  
Blackburn  
Lancashire  
BB1 1TL

Telephone: **01254 673400**

Fax: **01254 665571**

Email: [sales@psiseating.co.uk](mailto:sales@psiseating.co.uk)

[www.psiseating.co.uk](http://www.psiseating.co.uk)

[/psiseating](https://www.facebook.com/psiseating)
[@psiseating](https://twitter.com/psiseating)
[/+psiseating](https://plus.google.com/+psiseating)
[/psiseating](https://www.instagram.com/psiseating)



Certificate Number 12877  
ISO 9001