



SPRITE

SPRITE

Sprite features a comfortable, contoured, pear shaped back and a choice of mechanisms. With optional inflatable lumbar support Sprite epitomises reliability, comfort and affordability.

Standard Features

- Contoured high back
- Black nylon base

Optional Features

- Inflatable lumbar support (add 'i' to product code eg: SPi(1))
- Chrome Base (SCB)
- Chrome Base (CBY)



SPRITE - SP(4) AA



SPRITE - SP(4) AA



SPRITE - SP(1) / BLACK NYLON BASE



SPRITE - SP(1) / CHROME BASE

SPRITE



SP(1)

High back operator chair.

DIMENSIONS	
WIDTH	620mm
DEPTH	620mm
SEAT HEIGHT	460mm
580mm	
OVERALL HEIGHT	940mm
1060mm	



SP(1R)

High back operator chair.

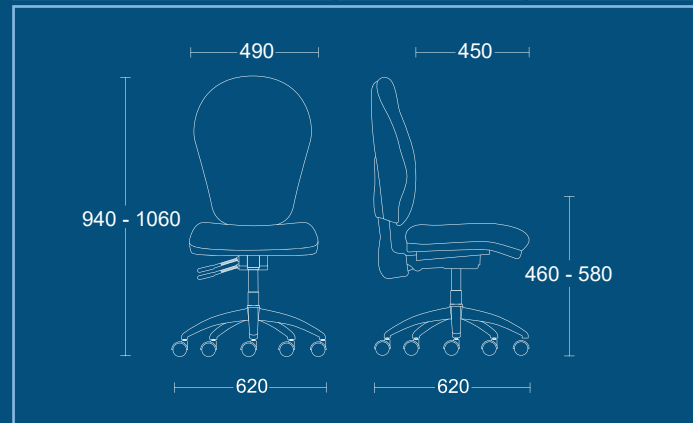
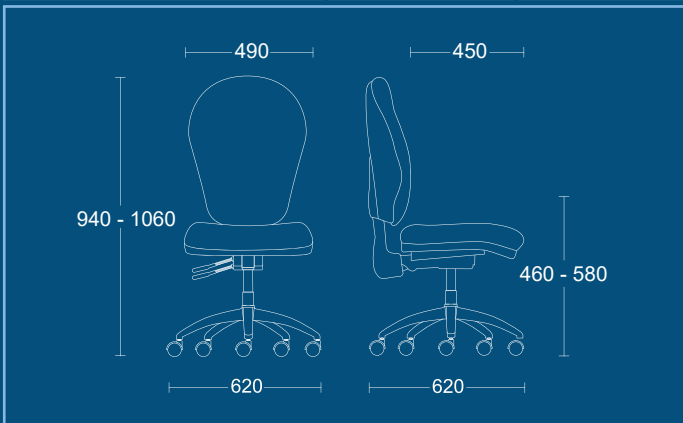
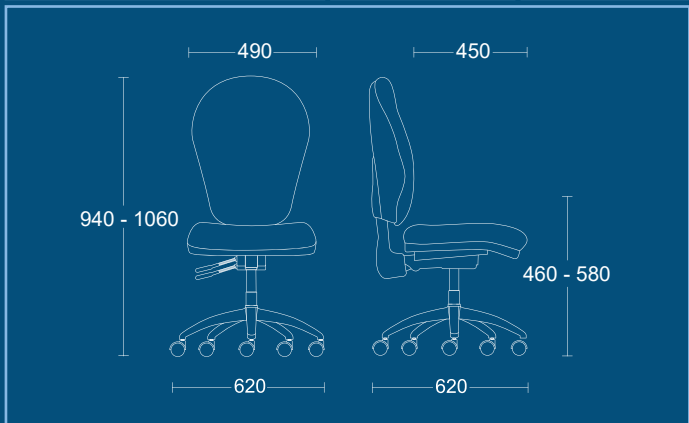
DIMENSIONS	
WIDTH	620mm
DEPTH	620mm
SEAT HEIGHT	460mm
580mm	
OVERALL HEIGHT	940mm
1060mm	



SP(2)

High back operator chair.

DIMENSIONS	
WIDTH	620mm
DEPTH	620mm
SEAT HEIGHT	460mm
580mm	
OVERALL HEIGHT	940mm
1060mm	



SPRITE



SP(3)

High back operator chair.

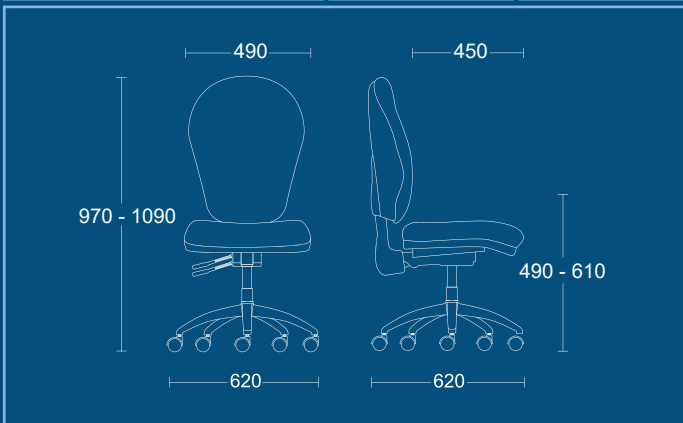
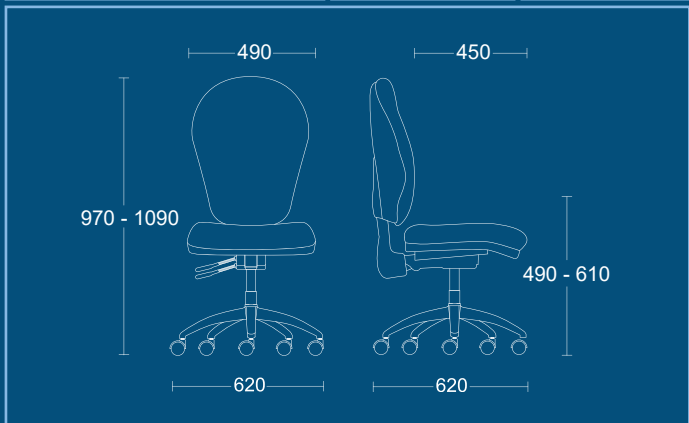
DIMENSIONS	
WIDTH	620mm
DEPTH	620mm
SEAT HEIGHT	490mm
610mm	
OVERALL HEIGHT	970mm
1090mm	



SP(4)

High back operator chair.

DIMENSIONS	
WIDTH	620mm
DEPTH	620mm
SEAT HEIGHT	490mm
610mm	
OVERALL HEIGHT	970mm
1090mm	



PSI Seating Limited

Parkside Mill
Walter Street
Blackburn
Lancashire
BB1 1TL

Telephone: **01254 673400**

Fax: **01254 665571**

Email: sales@psiseating.co.uk

www.psiseating.co.uk

[f](#) /psiseating [t](#) @psiseating

[g+](#) /+psiseating [i](#) /psiseating



Certificate Number 12877
ISO 9001