



ECLAT

ECLAT

Eclat is a collection of contemporary stacking chairs designed for multipurpose use. This range is extremely popular but does not compromise on comfort or durability despite being competitively priced. Available with cantilever or four legged frame in either black or chrome as well as with optional arms and writing tablet.

Standard Features

- Choice of black four legged frame, chrome four legged frame or chrome cantilever frame
- Stack in sets of 3 chairs (not with Writing Tablet)

Optional Features

- Writing Tablet (WTA)



E65, E66A, E65C, E66AC, E65S, E66SA



E78CL, E79CA

ECLAT - E79CA



ECLAT - E78CL



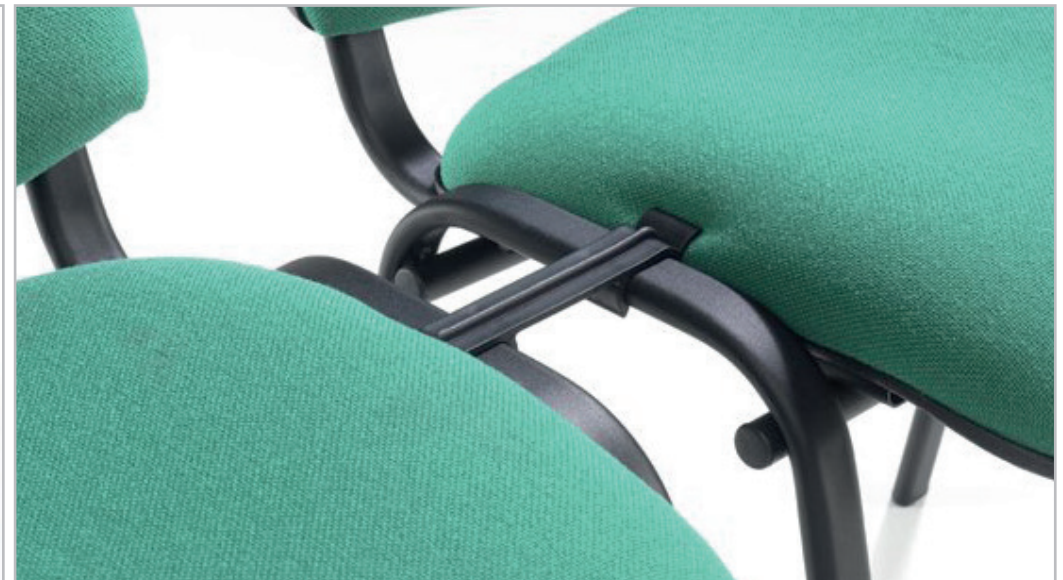
ECLAT - E65C



ECLAT - E65



ECLAT - E67WTA / OPTIONAL WRITING TABLET



ECLAT - E65 / LINKING MECHANISM

ECLAT



E78CL

Chrome cantilever stacking chair.



DIMENSIONS	
WIDTH	490mm
DEPTH	600mm
SEAT HEIGHT	490mm
OVERALL HEIGHT	870mm



E79CA

Chrome cantilever stacking chair with armrests.



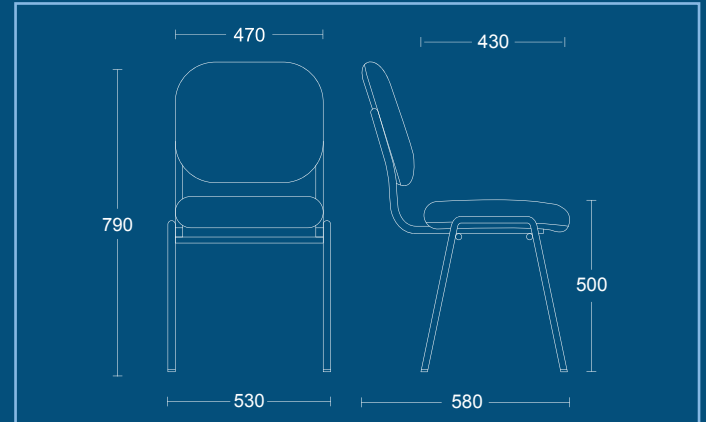
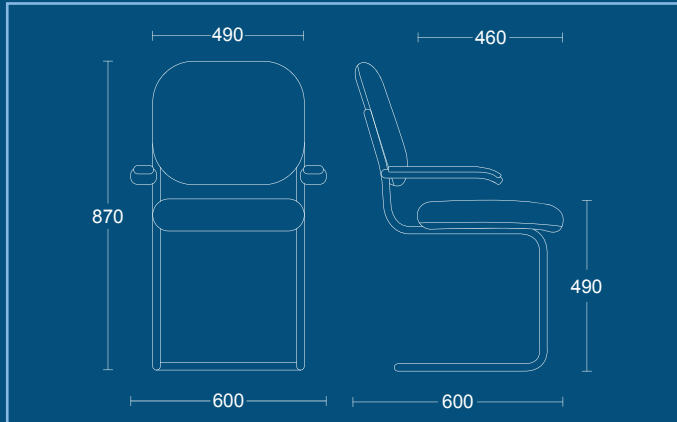
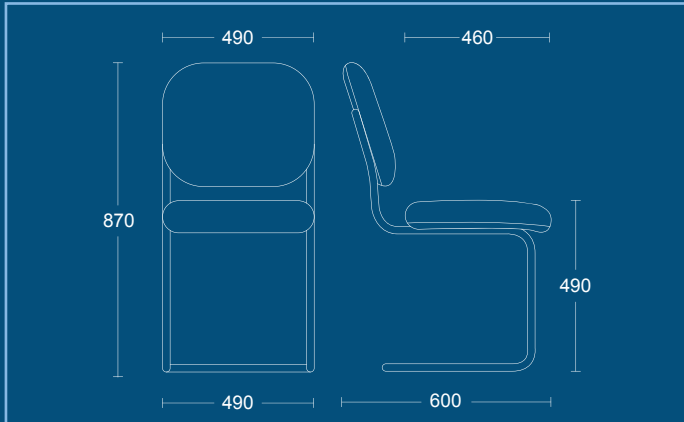
DIMENSIONS	
WIDTH	600mm
DEPTH	600mm
SEAT HEIGHT	490mm
OVERALL HEIGHT	870mm



E65

Four legged black stacking chair.

DIMENSIONS	
WIDTH	530mm
DEPTH	580mm
SEAT HEIGHT	500mm
OVERALL HEIGHT	790mm



ECLAT



E66A

Four legged black stacking chair with armrests.

DIMENSIONS	
WIDTH	630mm
DEPTH	580mm
SEAT HEIGHT	500mm
OVERALL HEIGHT	790mm



E65C

Four legged chrome stacking chair.

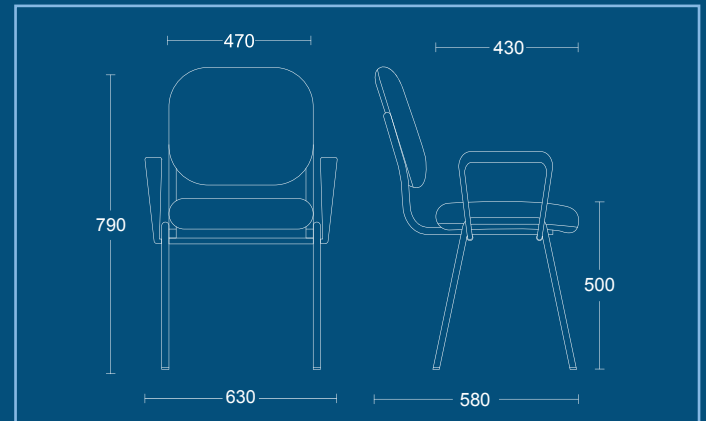
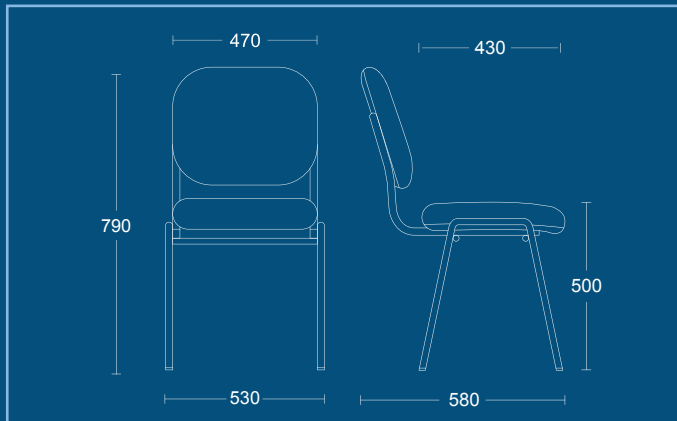
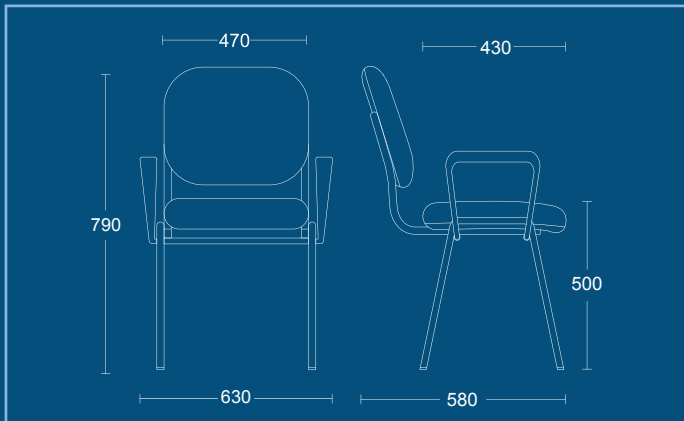
DIMENSIONS	
WIDTH	530mm
DEPTH	580mm
SEAT HEIGHT	500mm
OVERALL HEIGHT	790mm



E66AC

Four legged chrome stacking chair with armrests.

DIMENSIONS	
WIDTH	630mm
DEPTH	580mm
SEAT HEIGHT	500mm
OVERALL HEIGHT	790mm



ECLAT



E65S

Medium back chair with upholstered seat and back and black nylon base

DIMENSIONS

WIDTH 620mm
 DEPTH 620mm
 SEAT HEIGHT 470mm
 OVERALL HEIGHT 850mm

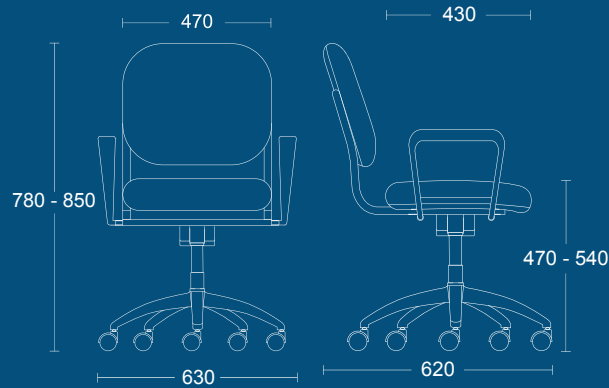
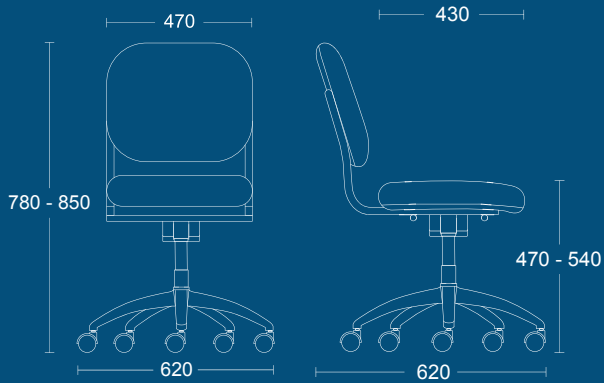


E66SA

Medium back armchair with upholstered seat and back and black nylon base

DIMENSIONS

WIDTH 630mm
 DEPTH 620mm
 SEAT HEIGHT 470mm
 OVERALL HEIGHT 850mm



PSI Seating Limited

Parkside Mill
 Walter Street
 Blackburn
 Lancashire
 BB1 1TL

Telephone: **01254 673400**

Fax: **01254 665571**

Email: sales@psiseating.co.uk

www.psiseating.co.uk

[/psiseating](https://www.facebook.com/psiseating)
[@psiseating](https://twitter.com/psiseating)
[/+psiseating](https://www.google.com/+psiseating)
[/psiseating](https://www.instagram.com/psiseating)



Certificate Number 12877
 ISO 9001